

P08048

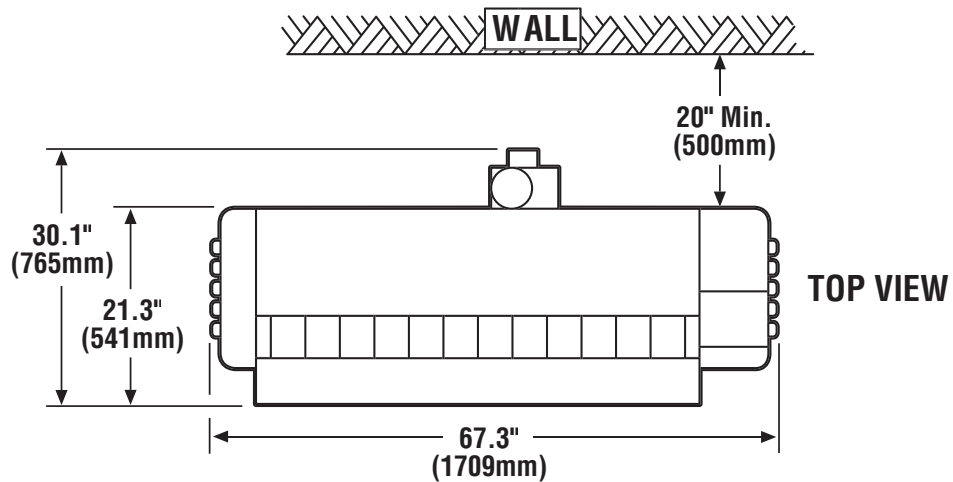
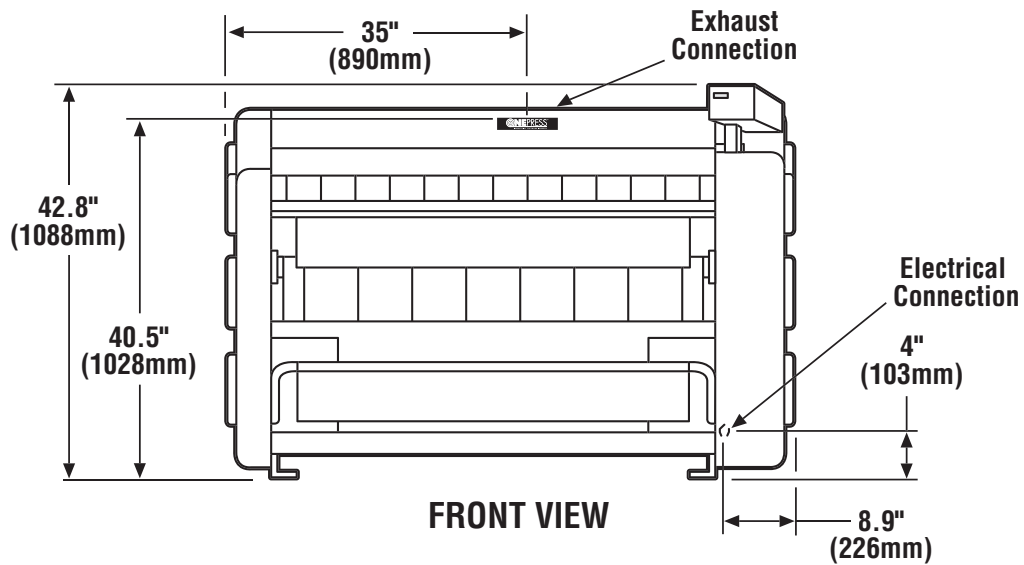
Industrial Flatwork Ironers



Architectural/Mechanical Product Specifications

888.560.4925 fax 920.231.4220 2500 State Rd 44

www.onepressironer.com Oshkosh, WI 54904



*Specifications subject to change without notice.

P08048 Product Technical Specifications

Cylinder Diameter	8.7 in.	(220 mm.)
Usable Cylinder Length	47.6 in.	(1210 mm.)
Finishing Speed	3.5 - 10 ft./min.	(1-3 m/min.)
Shipping Weight	662 lbs.	(300 kg.)
Net Weight	540 lbs.	(245 kg.)
Height (H)	42.8 in.	(1088 mm.)
Width (W)	67.3 in.	(1709 mm.)
Depth (D)	30.1 in.	(765 mm.)
Minimum Clearances:		
Rear	20 in.	(50 cm.)
Sides	20 in.	(50 cm.)
Front	40 in.	(100 cm.)
Exhaust Diameter (EV)	3.5 in.	(90 mm.)
Exhaust Air Flow	75 cfm	(128 m ³ /h.)
Motor Power	0.35 Hp	(0.35 CV)
Circuit Protection 208-240/60/3	25 Amps	
Full Load	21.1/20.3 Amps	
Electric Heating (E)	7.2/8 Kw	

*International Voltages Available

Specifications subject to change without notice.

